

# Curva de Performance



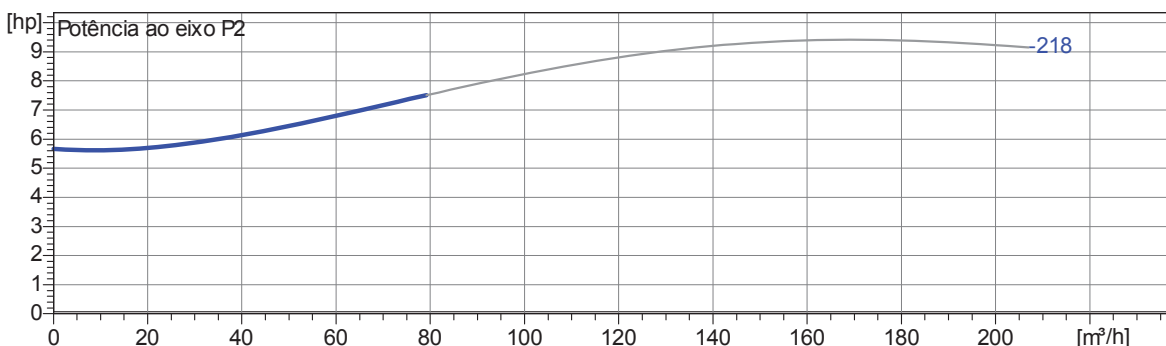
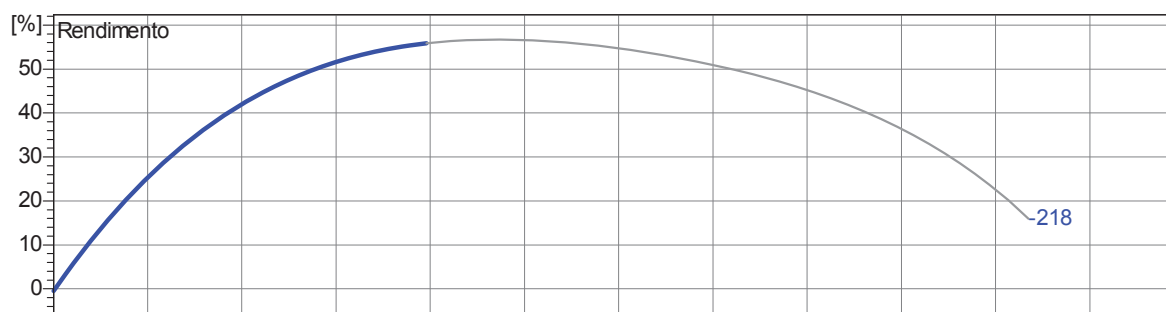
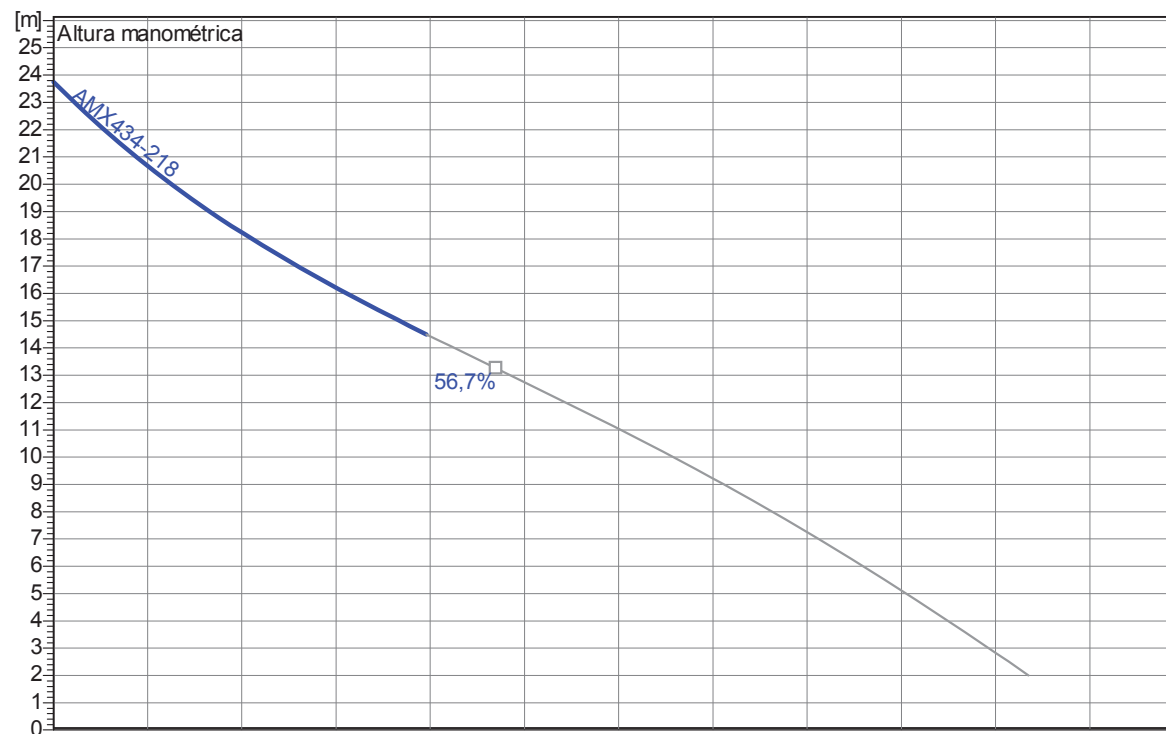
AMX434-218/7,5T/C

Pág. 01/05

Impulsor					
Tipo do impulsor: Turbina monocanal	Passagem de sólidos: Ø: 80 mm	Max. Ø: 250 mm	Min. Ø: 210 mm	Sel. Ø: 218 mm	
Dados de funcionamento					
Velocidade: <b>1750 rpm</b>	Frequencia: <b>60 Hz</b>	Ponto de funcionamento <b>Q = 0 m³/h</b> <b>H = 0 m</b>	Potência de eixo P2	Diâmetro de descarga : <b>4" (100mm)</b>	

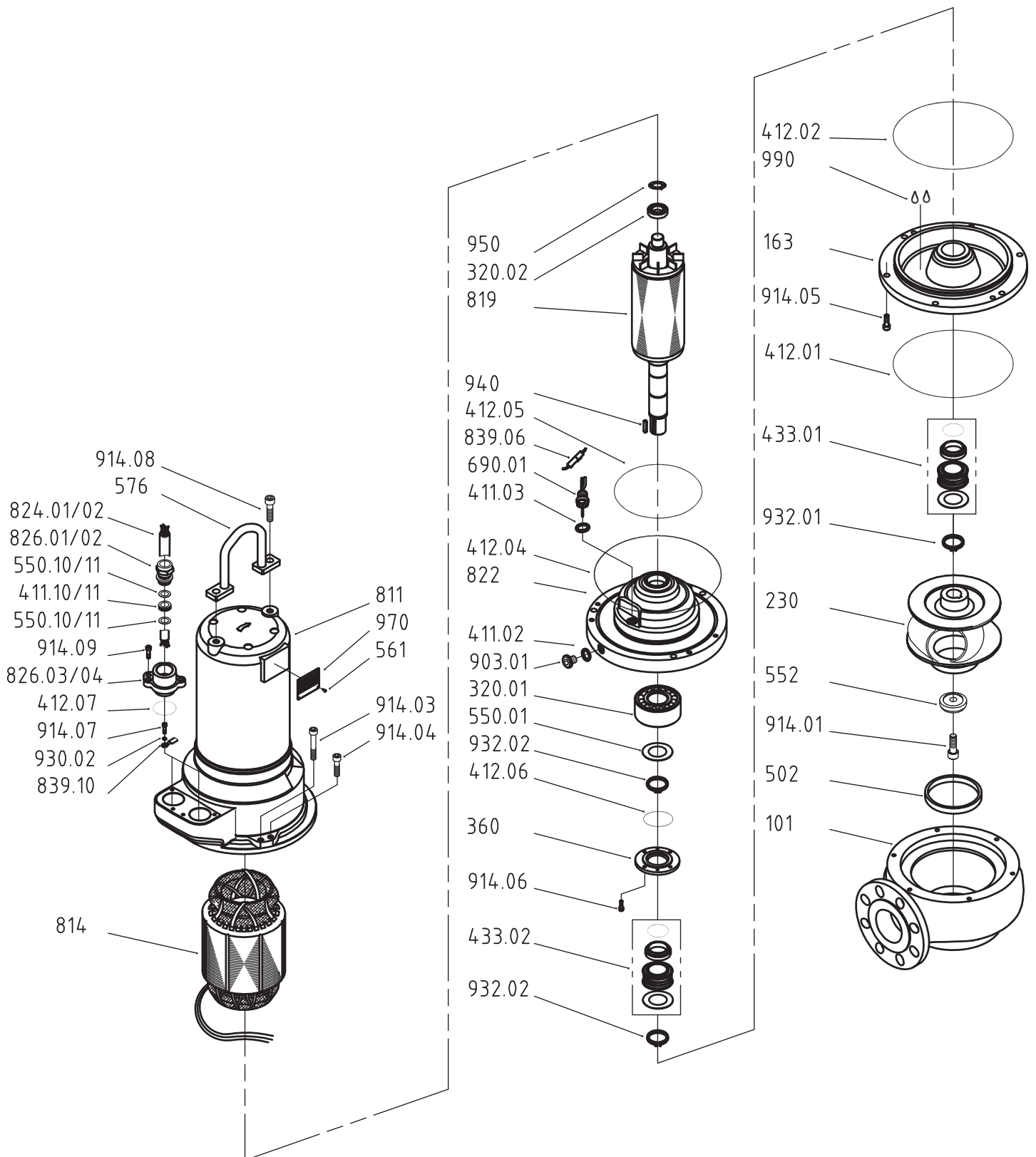
Caraterísticas da potencia referidas a :  
Água limpa [100%]; 20°C; 998,3kg/m³; 1,005mm²/s

Norma do teste: **P2>10kW, ISO9906 Grade 2B**  
**P2<10kW, ISO9906 Sect. 4.4.2**



2.0.1 - 01.02.2013 (Build 59)

Projecto	Projecto nº:	Criado por	Página: <b>1</b>	Data <b>2013-05-20</b>
----------	--------------	------------	---------------------	---------------------------



Spare part list no. 95171253.01  
**SUBMERSIBLE SEWAGE PUMP 60 HZ**  
 Type AMX434-218/7,5T/C 230V/3 ST/D  
 Drawing no. 015136/035136  
 Connection diag. no. SY11-A0-1010-00A

Draw.pos.	Qty	Unit	Description	Part no.
101	1.00	ST	PUMP HOUSING 101 M1018 GG M(X)23(38-50)-N... WITHOUT FEET	6502781
163	1.00	ST	PRESSURE COVER 163 M1329 GG AM173.T(L)/AM204.P(L)	6231421
230	1.00	ST	IMPELLER 230 (HOLE 30) M1318-3 GG MX13/2344-... (D=218)	6312931
320.01	1.00	ST	ANGULAR BALL BEARING 3207 B.TVH.C3	3232073
320.02	1.00	ST	GROOVED BALL BEARING 6305-2ZN1/C3WT	3163054
360	1.00	ST	BEARING COVER 360 M1319 AL AM171/AM172	6220860
411.02	2.00	ST	FIBER JOINT 13,0 X 20,0 X 2,0	4281218
411.03	1.00	ST	FIBER JOINT 16,5 X 22,0 X 2,0 MM	4281622
411.10	1.00	ST	SEALING RING 19 X 29,5 X 18	7362076
411.11	1.00	ST	SEALING RING 12 X 22,5 X 20 MM	7362056
412.01	1.00	ST	O-RING, NBR CA 70 SHORE 220 X 4	3522040
412.02	1.00	ST	O-RING, NBR CA 70 SHORE 220 X 4	3522040
412.04	1.00	ST	O-RING, NBR CA 70 SHORE 240 X 4	3524040
412.05	1.00	ST	O-RING, NBR CA 70 SHORE 160 X 4	3516040
412.06	1.00	ST	O-RING, NBR CA 70 SHORE 70 X 3	3507030
412.07	2.00	ST	O-RING, NBR CA 70 SHORE 46 X 3	3504630
433.01	1.00	ST	MECHANICAL SEAL - HARD METAL MG1/35-G64-E1 Q1Q1PGG INCL.1 FITTING WASHER	3738351
433.02	1.00	ST	MECHANICAL SEAL - HARD METAL MG1/35-G64-E1 Q1Q1PGG INCL.1 FITTING WASHER	3738351
502	1.00	ST	WEAR RING 502 BZ 120,4 X 132 X 15	7343592
550.01	1.00	ST	SUPPORTING DISK DIN 988 35 X 45 X 2,5	4245352

Spare part list no. 95171253.01  
**SUBMERSIBLE SEWAGE PUMP 60 HZ**  
 Type AMX434-218/7,5T/C 230V/3 ST/D  
 Drawing no. 015136/035136  
 Connection diagr. no. SY11-A0-1010-00A

Draw.pos.	Qty	Unit	Description	Part no.
550.10	2.00	ST	PRESSURE RING 19 x 30 x 2,5	1318219
550.11	2.00	ST	PRESSURE RING 13 x 23 x 2.5	1318213
552	1.00	ST	CLAMPING DISK 552 A2 AM170 DIA. 30/50MM, M10	7341855
561	4.00	ST	GROOVED DRIVE STUD 2 X 5 DIN 1476 1.4303	4414825
576	1.00	ST	HANDLE 576 AM173...T(U) (180X130) A2	7200865
690.01	1.00	ST	SEAL PROBE M16X1,5-80	1585205
811	1.00	ST	MOTOR HOUSING 811 M1090-0 GG AM173.T (2*D45)	6403581
814	1.00	ST	STATOR WITH WINDING TM DT170/103X160 4POL. 230/380V-60HZ WITH THERMAL SENSOR	1808251
819	1.00	ST	MOTOR SHAFT WITH ROTOR 819 AM173../4 (WL467,RO103/160,ZL40)	71033441
822	1.00	ST	LOWER BEARING COVER M1315-A GG AM173 T/C	6223021
824.01	1.00	ST	RUBBER-SHEATHED CABLE H07RNF-PLUS 10 G 1,5 10,4M LONG	1041588
824.02	10.40	M	RUBBER-SHEATHED CABLE H07RN-F 4 G 1,5	1041541
826.02	1.00	ST	CABLE SCREWING W. PULL RELIEF M 25 x 1,5	1317025
826.02	1.00	ST	CABLE SCREWING W. PULL RELIEF M 32 x 1,5	1317032
826.03	1.00	ST	CABLE INLET FLANGE M1410 GG M32X1,5/D45	7350981
826.04	1.00	ST	CABLE INLET FLANGE M1410 GG M25X1,5/D45	7350971
839.06	1.00	ST	PLUG SET 2 POLE MINI	1610075
839.06	2.00	ST	PLUG SET 2 POLE MINI	1610077
839.10	1.00	ST	CABLE SOCKET, ISOL. 6,5 MM "RING-SHAPED" A 2565 R	1211107
839.10	1.00	ST	CABLE SOCKET, ISOL. 6,5 MM "RING-SHAPED" A 2565 R	1211107
839.12	4.00	ST	CORD END PIECE, BRASS-BLANK 1,0-2,5 QMM	1201025

**Spare part list no.** 95171253.01  
**SUBMERSIBLE SEWAGE PUMP 60 HZ**  
**Type** AMX434-218/7,5T/C 230V/3 ST/D  
**Drawing no.** 015136/035136  
**Connection diag. no.** SY11-A0-1010-00A

Draw.pos.	Qty	Unit	Description	Part no.
903.01	2.00	ST	HEXAGON SOCKET SCREW PLUG M 12 X 1,5/DIN 908-5.8 1.4305	4090807
914.02	1.00	ST	CYLINDER SCREW DIN 912 A2 M 10 X 25	4010252
914.03	3.00	ST	CYLINDER SCREW DIN 912 A2 M 10 X 85	4010852
914.04	3.00	ST	CYLINDER SCREW DIN 912 A2 M 10 X 45	4010452
914.05	2.00	ST	CYLINDER SCREW DIN 912 A2 M 8 X 25	4008252
914.06	4.00	ST	CYLINDER SCREW DIN 912-8.8 VZ M 6 X 20	4006201
914.07	1.00	ST	CYLINDER SREW DIN 912-8.8 VZ M 6 X 8	4006120
914.08	2.00	ST	CYLINDER SCREW DIN 912 A2 M 12 X 30	4012302
914.09	4.00	ST	CYLINDER SCREW DIN 912 A2 M 6 X 20	4006202
930.02	2.00	ST	TOOTH WASHER DIN 6797-ST.VZ A 6,4 (FOR M 6)	4279706
932.01	1.00	ST	CIRCLIP DIN 471 A 35 X 1,5	4347134
932.02	2.00	ST	CIRCLIP DIN 471 A 35 X 1,5	4347135
940	1.00	ST	FITTING KEY DIN 6885 - C45K 8 X 7 X 32	4480732
950	1.00	ST	SPRING WASHER AM173...T D62/27	7342945
970	1.00	ST	PUMP LABEL 65 X 53 X 0,7	7365494
990	1.90	L	MOTOR OIL HOMA-ATOX	4619120