

Curva de Performance



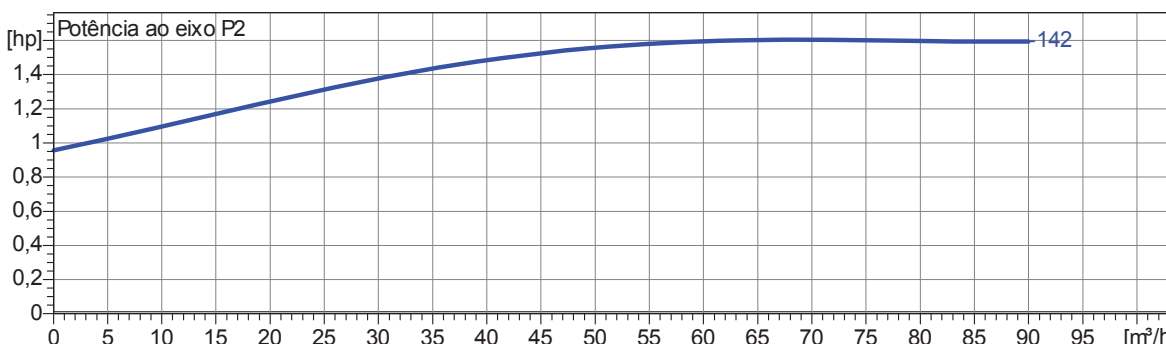
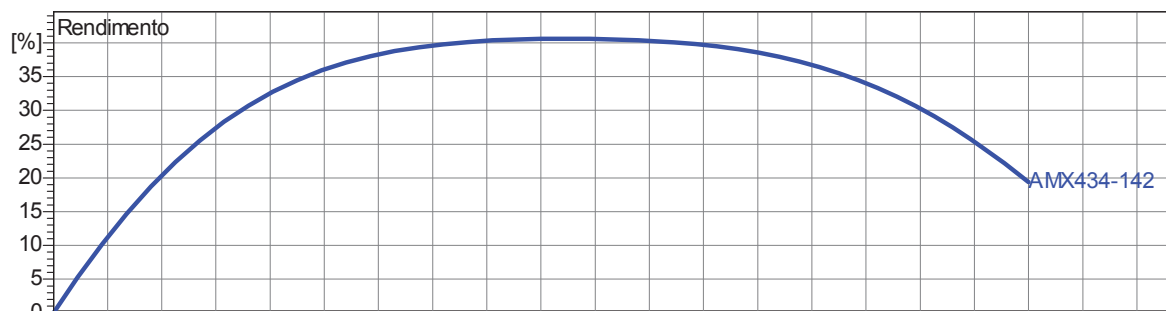
AMX434-142/1,6C/C

Pág. 01/05

Impulsor					
Tipo do impulsor: Turbina monocanal	Passagem de sólidos Ø: 80 mm	Max. Ø: 155 mm	Min. Ø: 142 mm	Sel. Ø: 142 mm	
Dados de funcionamento					
Velocidade: 1750 rpm	Frequencia: 60 Hz	Ponto de funcionamento Q = 0 m³/h	H = 0 m	Potência de eixo P2	Diâmetro de descarga : 4" (100mm)

Caraterísticas da potencia referidas a :
Água limpa [100%] ; 20°C ; 998,3kg/m³ ; 1,005mm²/s

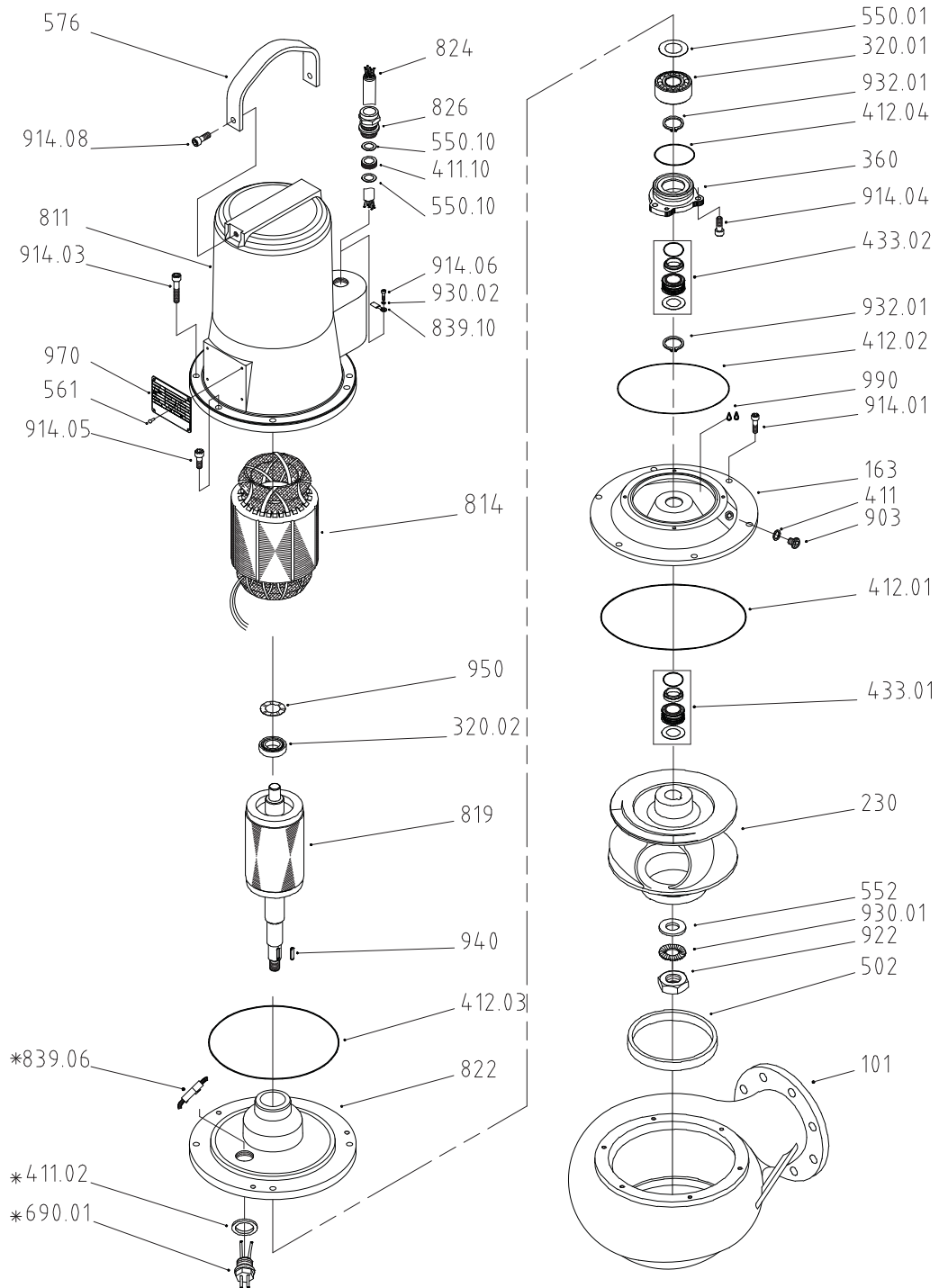
Norma do teste: **P2>10kW, ISO9906 Grade 2B**
P2<10kW, ISO9906 Sect. 4.4.2



2.0.1 - 01.02.2013 (Build 59)

Projecto	Projecto nº:	Criado por	Página: 1	Data 2013-05-20
----------	--------------	------------	---------------------	---------------------------

60 Hz AMX3(4)34-.../...C



*Nur bei Ausführung "C"



Spare part list no. 95171021
SUBMERSIBLE SEWAGE PUMP 60 HZ
 Type AMX434-142/1,6C/C 230/380V/3 DOL
 Drawing no. 015110/035110
 Connection diagr. no. SD10-A0-1010-00A

Draw.pos.	Qty	Unit	Description	Part no.
101	1.00	ST	PUMP HOUSING 101 M1019 GG MX23(28-41)-AM122/136 WITHOUT FEET	6501871
163	1.00	ST	PRESSURE COVER 163 M1231 GG V(MX)13/23...AM136	6230951
230	1.00	ST	IMPELLER 230 (HOLE 20) M1282 GG MX13/23...(D=142)	6312821
320.01	1.00	ST	ANGULAR BALL BEARING 3205 B.TVH.C3	3232050
320.02	1.00	ST	GROOVED BALL BEARING 6301-2Z-C3-L12	3063013
360	1.00	ST	BEARING COVER M 400 AL H120	6220310
411	1.00	ST	FIBER JOINT 13,0 X 20,0 X 2,0	4281218
411.02	1.00	ST	FIBER JOINT 16,5 X 22,0 X 2,0 MM	4281622
411.10	1.00	ST	SEALING RING 16 X 22,5 X 11 MM	7362006
412.01	1.00	ST	O-RING, NBR CA 70 SHORE 220 X 4	3522040
412.02	1.00	ST	O-RING, NBR CA 70 SHORE 150 X 3	3515030
412.03	1.00	ST	O-RING, NBR CA 70 SHORE 135 X 3	3513530
412.04	1.00	ST	O-RING, NBR CA 70 SHORE 46 X 3	3504630
433.01	1.00	ST	MECHANICAL SEAL - HARD METAL MG1S5/25-G24 BUKA22/BUKA22+(4571) INCL.1 FITTING WASHER	3738251
433.02	1.00	ST	MECHANICAL SEAL - HARD METAL MG1S5/25-G24 BUKA22/BUKA22+(4571) INCL.1 FITTING WASHER	3738251
502	1.00	ST	WEAR RING 502 BZ 110,8 X 120 X 15	7343612
550	1.00	ST	ADJUSTING WASHER DIN 988 25 X 35 X 1	4235251
550.10	2.00	ST	PRESSURE RING 17 x 23 x 2.5	1318217
552	1.00	ST	WASHER DIN 7349 A4 13 X 30 X 5	4273136
561	4.00	ST	GROOVED DRIVE STUD 2 X 5 DIN 1476 1.4303	4414825

Spare part list no. 95171021
SUBMERSIBLE SEWAGE PUMP 60 HZ
 Type AMX434-142/1,6C/C 230/380V/3 DOL
 Drawing no. 015110/035110
 Connection diagr. no. SD10-A0-1010-00A

Draw.pos.	Qty	Unit	Description	Part no.
576	1.00	ST	HANDLE 576 115 X 77 WITH COATING	7200825
690.01	1.00	ST	SEAL PROBE M16X1,5-80	1585275
811	1.00	ST	MOTOR HOUSING 811 M1080 GG AM122 , M32X1,5	6401611
814	1.00	ST	STATOR WITH WINDING DT120/70X100 230/380V-60HZ WITH THERMAL SENSOR	1804670
819	1.00	ST	MOTOR SHAFT WITH ROTOR 819 TP52/TP70...1,5/4D (70/100)	7100773
822	1.00	ST	LOWER BEARING COVER M1081 GG AM122/136, DUE	6230441
824.01	1.00	ST	RUBBER-SHEATHED CABLE H07RN-F 10 G 1,5 10,4M LONG	1041587
826.01	1.00	ST	CABLE SCREWING W. PULL RELIEF M 32 x 1,5	1317032
839.10	1.00	ST	CABLE SOCKET, ISOL. "RING-SHAPED" 0,5-1,5 QMM FOR M5 (A1553R)	1210304
903	1.00	ST	HEXAGON SOCKET SCREW PLUG M 12 X 1,5/DIN 908-5.8 1.4305	4090807
914.01	6.00	ST	CYLINDER SCREW DIN 912 A2 M 10 X 25	4010252
914.03	4.00	ST	CYLINDER SCREW DIN 912 A2 M 6 X 30	4006302
914.04	3.00	ST	CYLINDER SCREW DIN 912-8.8 VZ M 6 X 16	4006161
914.05	3.00	ST	CYLINDER SREW DIN 912 A2 M 6 X 12	4006122
914.06	1.00	ST	CYLINDER SCREW DIN 912-8.8 VZ M 5 X 8	4005081
914.08	2.00	ST	ROUND HEAD SCREW ISO 7380-A2 M 6 X 16	4006163
922	1.00	ST	HEXAGON NUT DIN 934 A2 M 12	4155012
930.01	1.00	ST	TOOTH WASHER DIN 6797 A2 A 12,5 (FOR M 12)	4279720
930.02	1.00	ST	TOOTH WASHER DIN 6797-ST.VZ A 5,3 (FOR M 5)	4279705
932	2.00	ST	CIRCLIP DIN 471 A 25 X 1,2	4347125
940	1.00	ST	FITTING KEY DIN 6885 - C45K 6 X 6 X 30	4460630

Spare part list no. 95171021
SUBMERSIBLE SEWAGE PUMP 60 HZ
Type AMX434-142/1,6C/C 230/380V/3 DOL
Drawing no. 015110/035110
Connection diag. no. SD10-A0-1010-00A

Draw.pos.	Qty	Unit	Description	Part no.
950	1.00	ST	BALL BEARING COMP. DISC 30 X 36,4 X 0,5 (K2 VERSION)	3356301
970	1.00	ST	PUMP LABEL 65 X 53 X 0,7	7365494
990	0.60	L	MOTOR OIL HOMA-ATOX	4619120